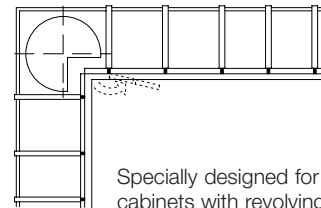


Concealed Hinges

Pie-cut Corner Hinge

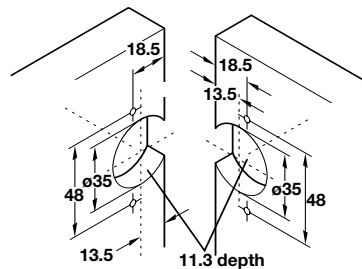
- With two 35 mm cup holes
- Door thickness variable 15-24 mm
- Hole size: 35 mm diameter, depth 11 mm

A rugged hinge designed for revolving-shelf kitchen cabinet installations. The pie-cut corner hinge meets all design requirements for three-way adjustability, quick mounting, concealed installation and sturdy construction. Adjustable to allow a small air circulation gap.



Specially designed for kitchen corner cabinets with revolving shelves.

Max. opening angle: **78°**



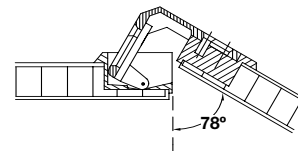
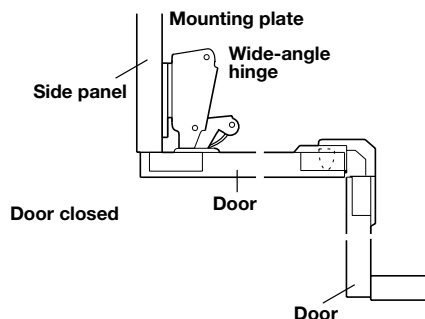
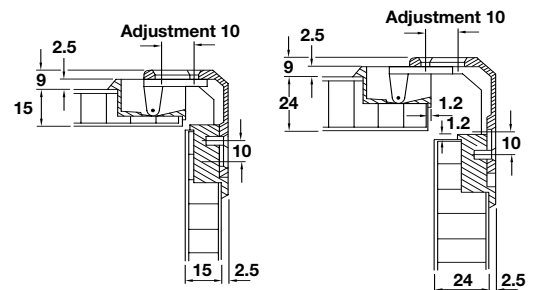
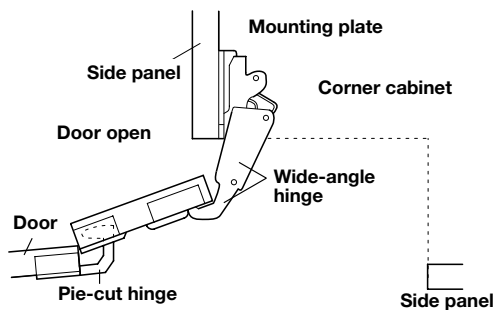
Screw-mounted

Material: zinc die-cast



Color	Item No.
nickel-plated	343.90.710

Packing: 100 pcs.



Dimensions in mm
Inches are approximate

Raised flat head screws

page 455