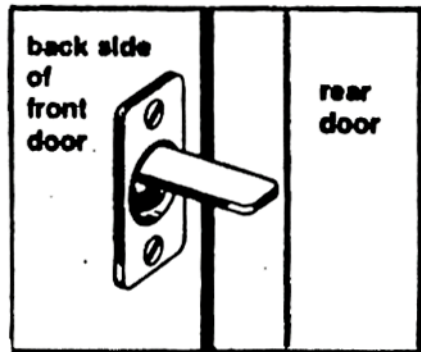
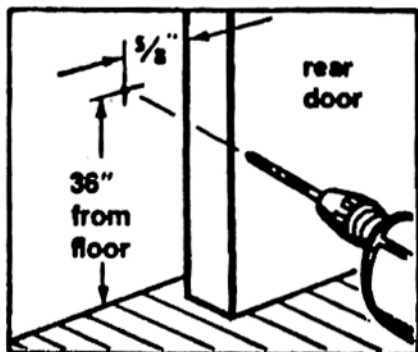


9268 Bi-Fold Lock

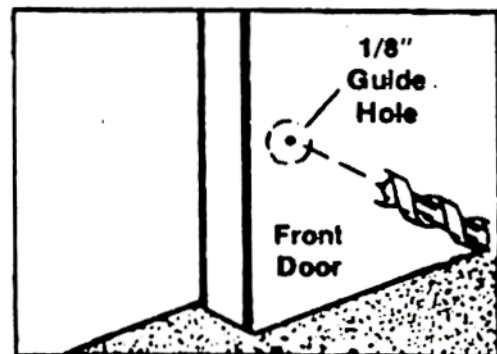
FOR CLOSET AND CABINET DOORS $\frac{3}{4}$ " TO $1\frac{3}{4}$ "



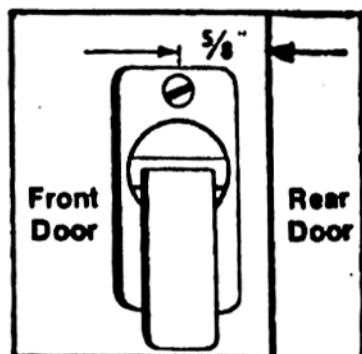
When installed. One-half turn of key raises tongue and locks doors.



1. Drill $\frac{5}{8}$ " Guide hole through front door from back side. Locate hole as shown.



2. To prevent splintering start $\frac{1}{8}$ " hole from room side. Finish from rear.



3. Mount lock as shown from closet side of door with two screws.



CLOSET DOOR HARDWARE
HAGER HINGE CO. St. Louis, MO 63104 U.S.A.
(314) 772-4400

REV. 10-05