

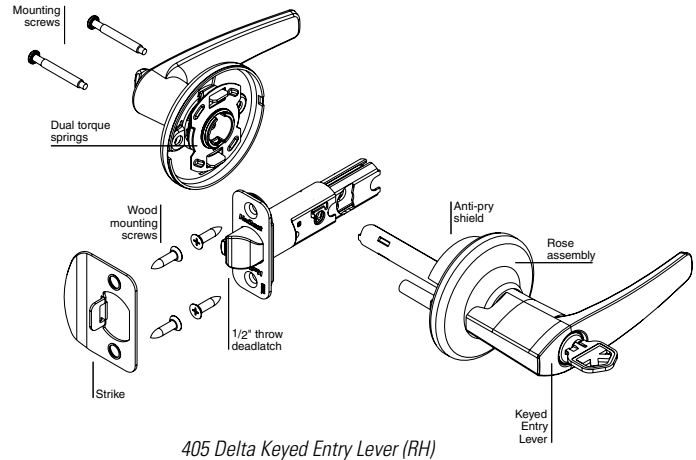
LEVERS

Specifications



LEVER

Door Prep	Cross Bore 2-1/8". Edge Bore 1". Latch Face 1" x 2-1/4".
Backset	Adjustable to 2-3/8" or 2-3/4". UL 2-3/4" standard 2-3/8" optional.
Door Thickness	1-3/8" – 1-3/4" doors standard. 2-1/4" doors optional on 200 and 400 functions only.
Cylinder	5-pin.
Faceplates	1" x 2-1/4". Specify round corner, square corner or drive-in.
Strikes	2-1/4" full lip. Specify round corner or square corner. Other options available.
Bolt	1/2" throw.
Door Handing	Specify right- or left-hand door for Lido and Saxton. Delta and Dorian are non-handed.
ANSI/BHMA	A156.2 Grade 2.
ADA	Functions 200, 420, 488 satisfy section 4.13.9 ADA requirements.
UL	Meets 3 hour fire rating for all UL lever functions.



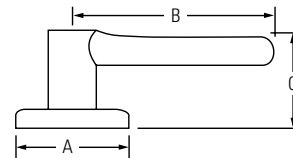
405 Delta Keyed Entry Lever (RH)

FUNCTIONS

	Passage/Hall/Closet: Both levers always free. – 200/420UL F75
	Privacy/Bed/Bath: Both levers locked or unlocked by turnbutton inside. Outside lever unlocked by emergency key. – 300/430UL F76
	Privacy/Bathroom: Same function as 300 above. Inside lever polished chrome. – 300 F76
	Entry: Both sides locked or unlocked by key outside or turnbutton inside. – 400/410UL F82
	Keyed Entry Lever: Both sides locked or unlocked by key outside or turnbutton inside. – 405/409UL F82
	Keyed Entry Lever: Outside locked or unlocked by key outside or turnbutton inside. Inside always free. – 406/413UL F81
	Storeroom/Vestibule: Outside unlocked only while key is turned. Inside always free. – 462/412UL F86
	Full Dummy Trim: For doors where only a pull is required. No operation. – 490 Ext.
	Half Dummy Trim, Surface Mounted: For doors where only a pull is required. No operation. – 488 Int.

Note: ANSI functions are listed in italics.

DIMENSIONS



Design	A	B	C	C (Keyed)
Delta™	2-5/8"	3-5/8"	1-15/16"	2-5/8"
Dorian®	2-5/8"	3-3/4"	2-1/4"	2-5/8"

OPTIONS

Description	See Page	Note
Split Finishes		Price is higher of two finishes.
Keying	58	Keyed Alike (KA) is standard.
2 1/4" thick door screw pack	60-61	
Faceplates		Included. Specify round corner, square corner or drive-in.
Strikes	51-52	Included. Specify round corner, square corner or full round.
Latches	47-50	Adjustable to 2 3/8" or 2 3/4". Specify round corner, square corner or drive-in.
Cylinder core & housing	54-55	

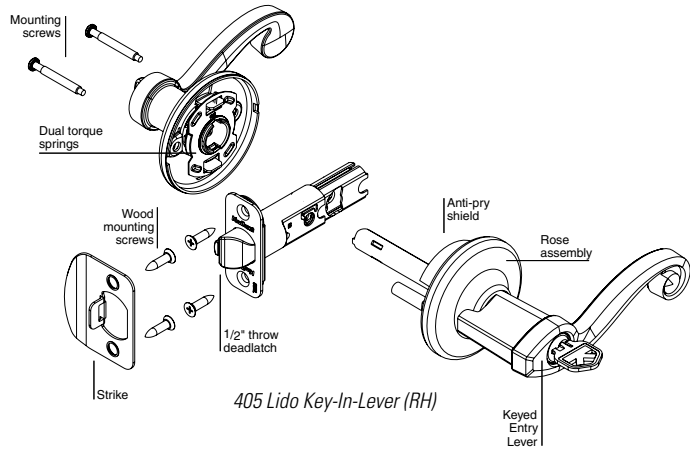
LEVERS

Specifications



LEVER

Door Prep	Cross Bore 2-1/8". Edge Bore 1". Latch Face 1" x 2-1/4".
Backset	Adjustable to 2-3/8" or 2-3/4". UL 2-3/4" standard 2-3/8" optional.
Door Thickness	1-3/8" – 1-3/4" doors standard. 2-1/4" doors optional on 200 and 400 functions only.
Cylinder	5-pin.
Faceplates	1" x 2-1/4". Specify round corner, square corner or drive-in.
Strikes	2-1/4" full lip. Specify round corner or square corner. Other options available.
Bolt	1/2" throw.
Door Handing	Specify right- or left-hand door for Lido and Saxton. Delta and Dorian are non-handed.
ANSI/BHMA	A156.2 Grade 2.
ADA	Functions 200, 420, 488 satisfy section 4.13.9 ADA requirements.
UL	Meets 3 hour fire rating for all UL lever functions.

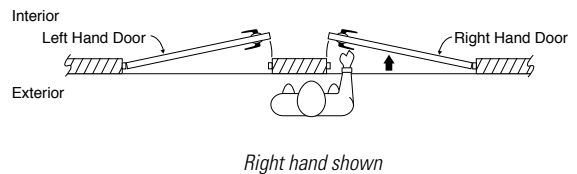


FUNCTIONS

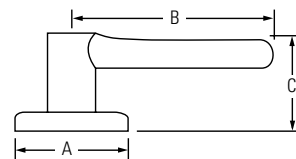
	Passage/Hall/Closet: Both levers always free. – 200/420UL F75
	Privacy/Bed/Bath: Both levers locked or unlocked by turnbutton inside. Outside lever unlocked by emergency key. – 300/430UL F76
	Privacy/Bathroom: Same function as 300 above. Inside lever polished chrome. – 300 F76
	Entry: Both sides locked or unlocked by key outside or turnbutton inside. – 400/410UL F82
	Keyed Entry Lever: Both sides locked or unlocked by key outside or turnbutton inside. – 405/409UL F82
	Keyed Entry Lever: Outside locked or unlocked by key outside or turnbutton inside. Inside always free. – 406/413UL F81
	Storeroom/Vestibule: Outside locked only while key is turned. Inside always free. – 462/412UL F86
	Full Dummy Trim: For doors where only a pull is required. No operation. – 490 Ext.
	Half Dummy Trim, Surface Mounted: For doors where only a pull is required. No operation. – 488 Int.

Note: ANSI functions are listed in italics.

Door Handing



DIMENSIONS



Design	A	B	C	C (Keyed)
Lido™	2-5/8"	3-3/4"	1-15/16"	2-5/8"
Saxton®	2-5/8"	3-3/4"	2"	2-5/8"

OPTIONS

Description	See Page	Note
Split Finishes		Price is higher of two finishes.
Keying	58	Keyed Alike (KA) is standard.
2 1/4" thick door screw pack	60-61	
Faceplates		Included. Specify round corner, square corner or drive-in.
Strikes	51-52	Included. Specify round corner, square corner or full round.
Latches	47-50	Adjustable to 2 3/8" or 2 3/4". Specify round corner, square corner or drive-in.
Cylinder core & housing	54-55	