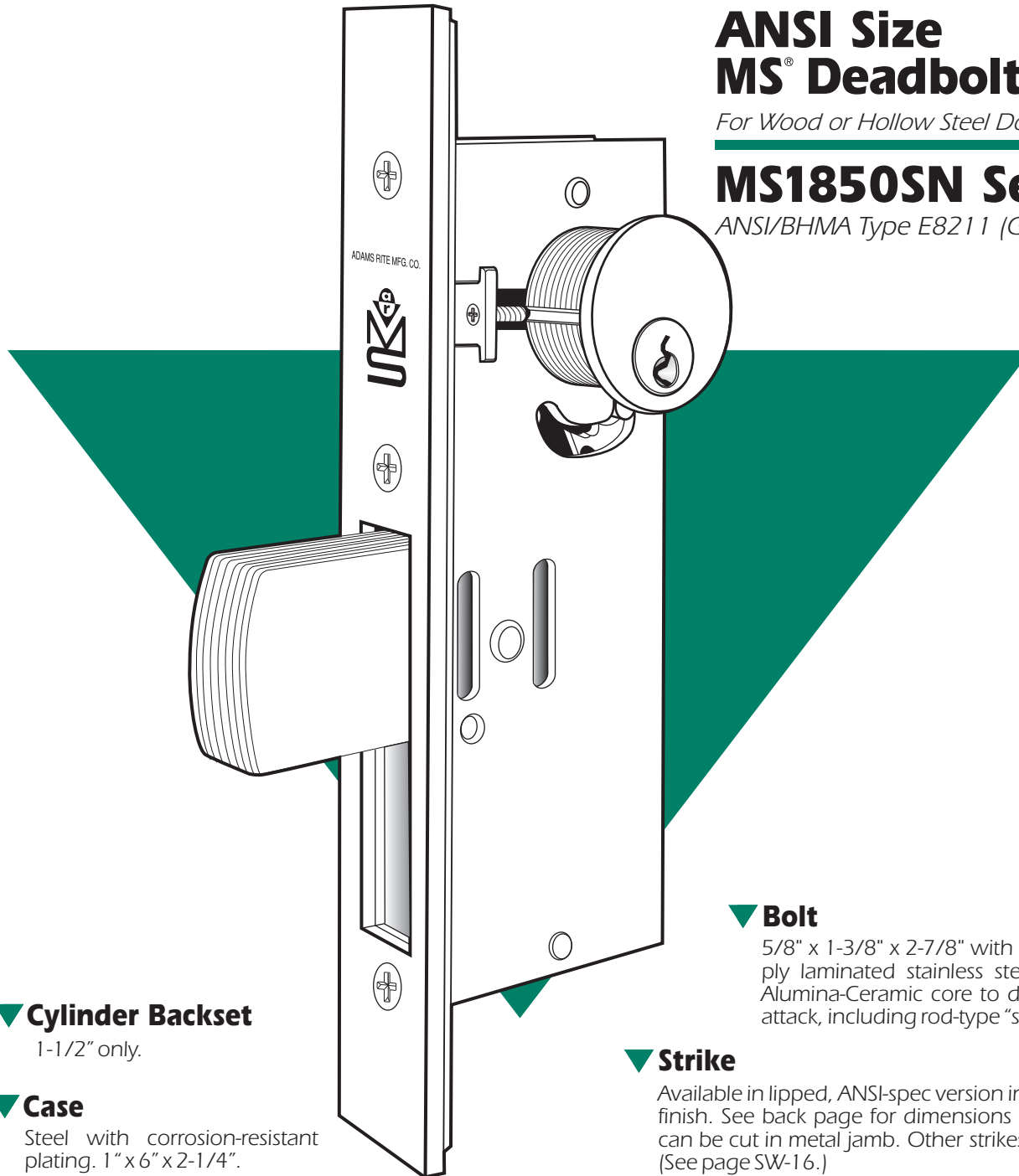


## ANSI Size MS® Deadbolt

*For Wood or Hollow Steel Doors*

### MS1850SN Series

*ANSI/BHMA Type E8211 (Grade 1)*



#### ▼ Cylinder Backset

1-1/2" only.

#### ▼ Case

Steel with corrosion-resistant plating. 1" x 6" x 2-1/4".

#### ▼ Function

For hollow steel or wood doors prepared for hardware according to the specifications of the American National Standards Institute, this MS® deadbolt provides maximum security and ease of installation. Its standard 1-1/2" backset dimension provides adequate clearance for the deep stop on the door jamb of hollow metal entrances.

#### ▼ Bolt

5/8" x 1-3/8" x 2-7/8" with 1-3/8" throw. Eight ply laminated stainless steel. Center ply has Alumina-Ceramic core to defeat any hacksaw attack, including rod-type "super" hacksaws.

#### ▼ Strike

Available in lipped, ANSI-spec version in steel with Chrome finish. See back page for dimensions of strike slot which can be cut in metal jamb. Other strikes are also available. (See page SW-16.)

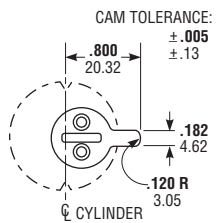
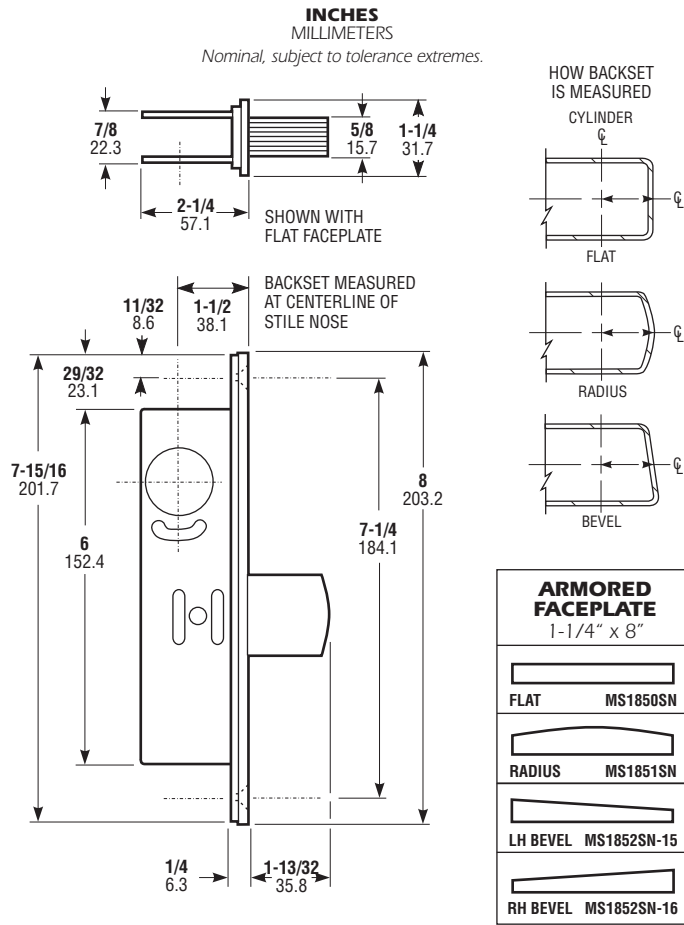
#### ▼ Operation

360° turn of key or thumbturn throws or retracts the counterbalanced bolt. Key can be removed only when bolt is in a positively locked or unlocked position. Lock accepts any standard 1-5/32" diameter mortise cylinder from either or both sides. Cylinder must have MS® cam. (See page SW-33.)



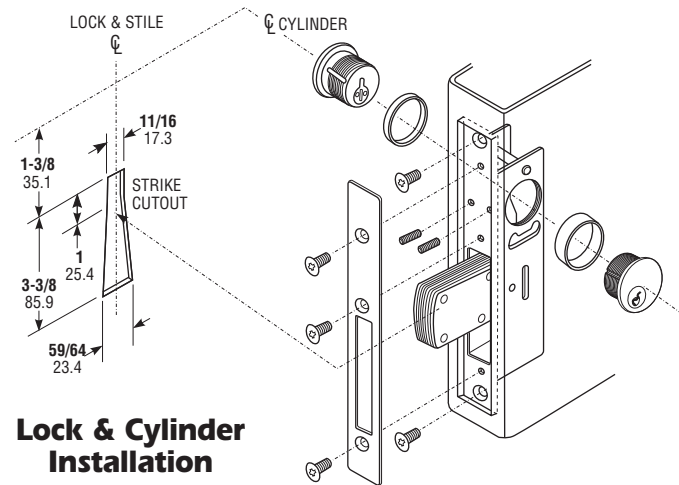
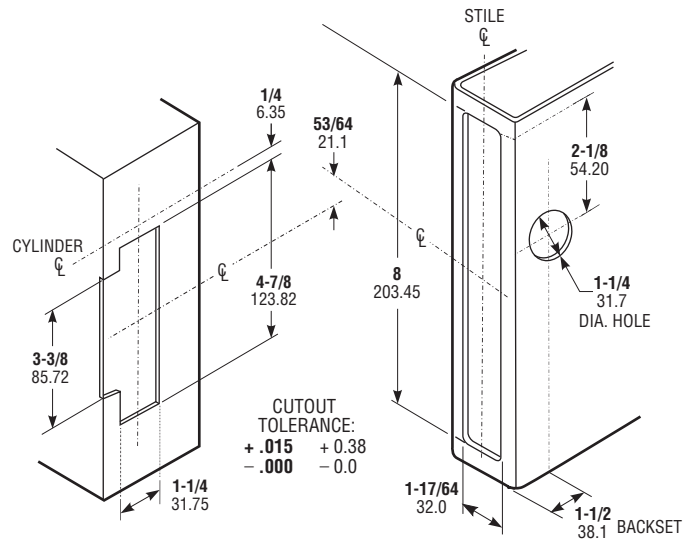
# MS1850SN ANSI Size Deadbolt

## DIMENSIONS



**Cylinder Cam**  
MS1850SN Series locks are operable by any standard 1-5/32" diameter mortise cylinder with special MS® cam dimensioned as shown. Cylinders with MS® cams can be readily obtained from most cylinder manufacturers. See page SW-33 for cylinder make and trim ring information.

## INSTALLATION



## HOW TO ORDER

Specify quantity and the following information.  
Order related hardware separately.

**Faceplate Shape**  
1850 Flat  
1851 Radius  
1852 Bevel

**Handing**  
415 LH or RHR  
416 RH or LHR  
410 Non-Handed\*

**Finish**  
628 Clear Anodized  
313 Dark Bronze Anod.  
335 Black Anodized

# MS1852SN-416-628

If ANSI strike required, specify 4003ANSI and finish: 626 or 605.

\*Any flat or radius face, except "Schoolhouse".

©2008 ADAMS RITE MANUFACTURING CO.

## OPTIONS

Second and third point locking bolts are available for pairs of steel doors. (See pages SW-10 and SW-11.) Shorter "hookbolt" version also available. (See page SL-4.) All use any make standard mortise cylinder and thus can be keyed into systems with other types of doors. "SCHOOLHOUSE" version, also available, is modified so that operation from inside is "unlock only." This lock is handed and must be specified LH or RH. Specify Series SCH-1850SN. Operation from inside, with standard Adams Rite 4066 Turn seen on page SW-33.

## STANDARD PACKAGE

Individually boxed with machine screws for mounting. Cylinders and/or thumbturn available at extra cost. Shipping weight: 1-1/2 lbs.