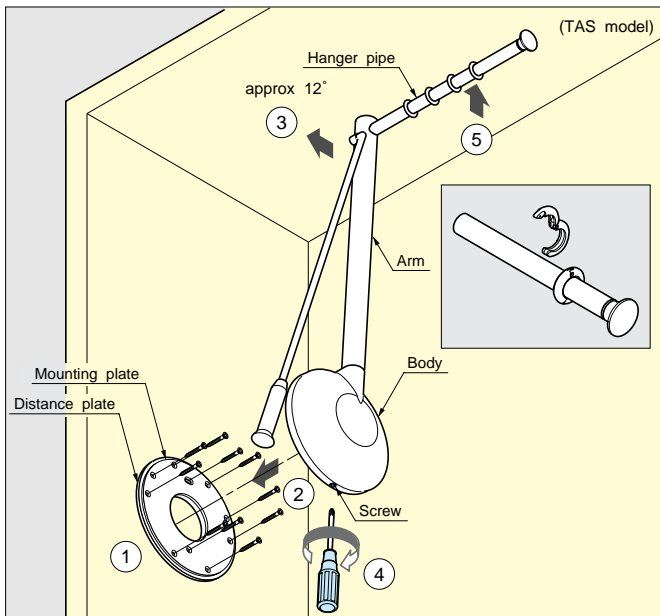


TALLMAN CLOSET ROD LIFT MECHANISM

- **New Shock Absorbing Mechanism:**
Designed to soften sudden "pop-ups."
It controls the speed of the handle, even when you release halfway.
And it absorbs the shock when the rod is pulled all the way down.
- **Easy to use:**
Lets you return the rod to its normal position with no extra force.
- **Simple to install:**
Install mounting plate on the wall, fasten rod unit to the mounting plate with one hidden.
- **Choose your size:**
We offer single, double or a T-type to accommodate your space requirements.





Easy Installation:

- ① Secure the mounting plate in the selected area with screws.
- ② Push the body into the fastening holes located on the mounting plate.
- ③ Rotate the body until the arm is perpendicular (approximately 12°)
- ④ Simply secure the body to the mounting plate with one screw.
- ⑤ Fix 4 pieces of slip-stopper rings on the hanger pipe for TAS/TAT.



Improved Pipe Fixture for TAS



Insert the pipe end into arm hole and tighten the pipe fixture by turning clockwise as shown.

Flexible Pull Down Rod

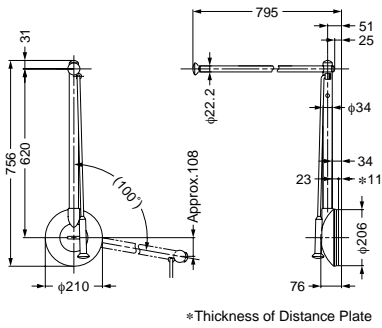


Allows the TALLMAN to be pulled down from various angles for easy access to your clothing.

TAS PAT.P (SINGLE TYPE)



TAS-800R/G (Right) Umber



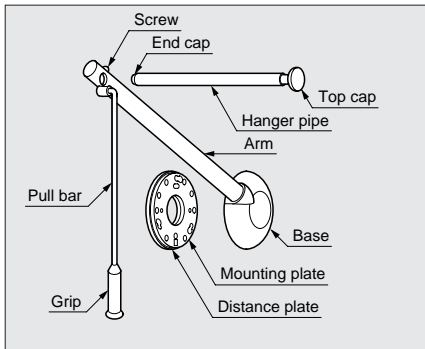
1. This single-type model is designed for installation on a side wall of a cabinet or closet.
2. Both right-hand and left-hand models are available.

Load capacity: Up to 8 kg or 17.6 lbs (evenly distributed).

Packaging: 1 set per box (about 5 kg or 11 lbs).

Product Specification	Grey (G)	Umber (U)
Right-Hand	TAS-800R/G	TAS-800R/U
Left-Hand	TAS-800L/G	TAS-800L/U

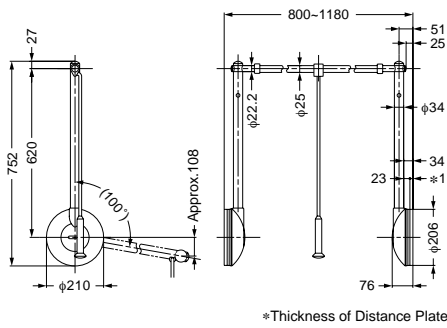
TAS-800L



TAW (DOUBLE TYPE)



TAW-1200/U Umber



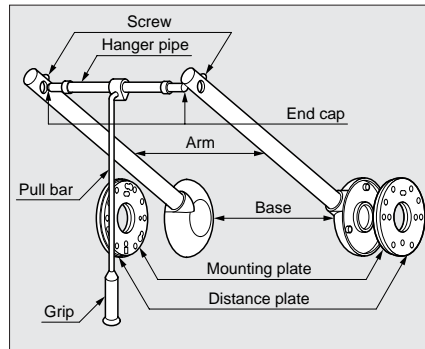
1. The double-type model is designed for installation on side walls of a cabinet or closet, using it in full width.
2. Adjusting the length of the rod is easily done in just one step.

Load capacity: Up to 15 kg or 33 lbs (evenly distributed).

Packaging: 1 set per box (about 9 kg or 19.8 lbs).

Product Specification	
Grey (G)	Umber (U)
TAW-1200/G	TAW-1200/U

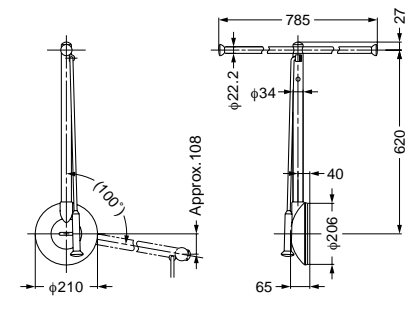
TAW-1200



TAT (T-TYPE)



TAT-800R/G (Right) Grey



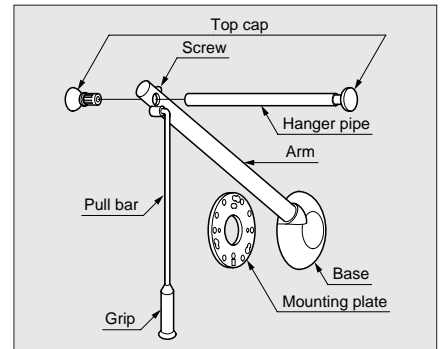
1. The T-type model is designed for front facing installation with the use of a bracket which is sold separately (TAB).
2. Create space more efficiently by separating short and long clothes.

Load capacity: Up to 8 kg or 17.6 lbs (evenly distributed).

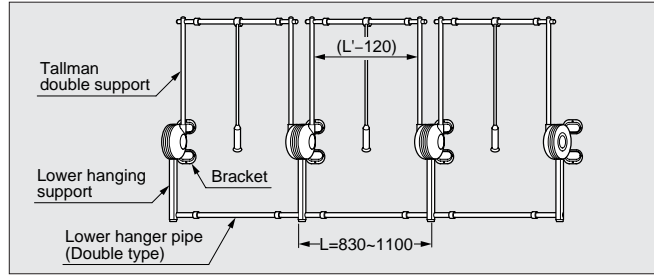
Packaging: 1 set per box (about 5 kg or 11 lbs).

Product Specification	Grey (G)	Umber (U)
Right-Hand	TAT-800R/G	TAT-800R/U
Left-Hand	TAT-800L/G	TAT-800L/U

TAT-800L

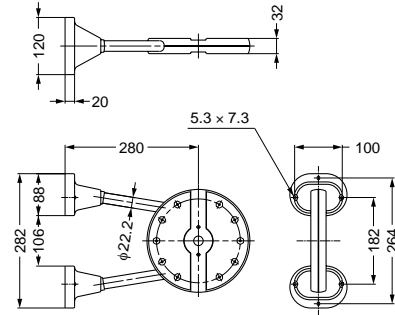


TALLMAN OPTIONAL PARTS



TAB BRACKET

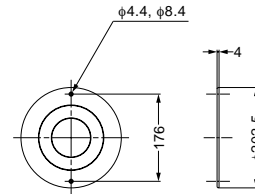
Material: Steel
Plastic



Item No.	Color	Weight (kg)	Box (set)
TAB/G	Grey	1.5	1
TAB/U	Umber	1.5	1

TAC COVER FOR TAB BRACKET

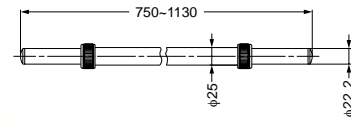
Material: Steel



Item No.	Color	Weight (kg)	Box (pcs)
TAC/G	Grey	0.21	1
TAC/U	Umber	0.21	1

TAH LOWER HANGING SUPPORT WITH ROD

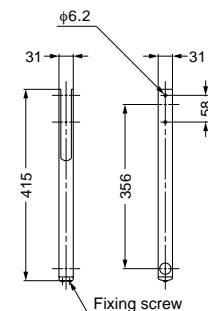
Material: Stainless Steel Pipe



Item No.	Color	Weight (kg)	Box (pcs)
TAH-1200W/G	Grey	0.85	1
TAH-1200W/U	Umber	0.85	1

TAL LOWER HANGING SUPPORT

Material: Steel



Item No.	Color	Weight (kg)	Box (pcs)
TAL/G	Grey	0.42	1
TAL/U	Umber	0.42	1